

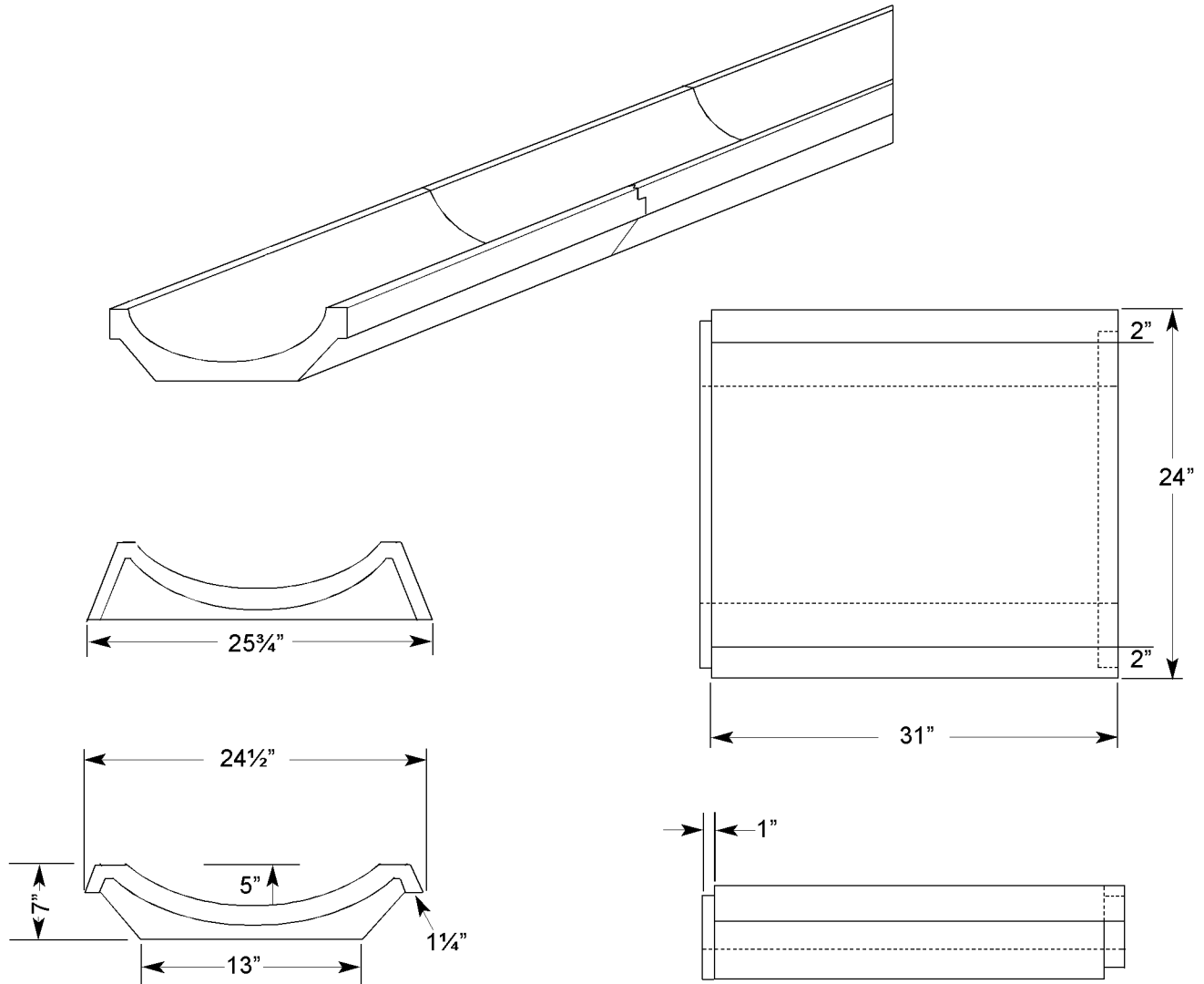


WELL TILES
SEPTIC TANKS
STAIRS & SLABS
RETAINING WALLS
BUILDING SYSTEMS
MANHOLES/CATCH BASINS

1979 S. Sparrow Lake Rd., Severn Bridge, ON P0E 1N0
Tel: 705-689-8428 Fax: 705-689-1565
Email: info@orilliaprecast.com www.orilliaprecast.com

OPC-DTCHLNR

DITCH LINER



SPECIFICATIONS

- Dimensions - 31" L X 24.5" W
- Weight - 135 lb./ 62 kg
- Concrete Strength - 4600 psi/32 mpa (minimum)
- Steel Reinforced