

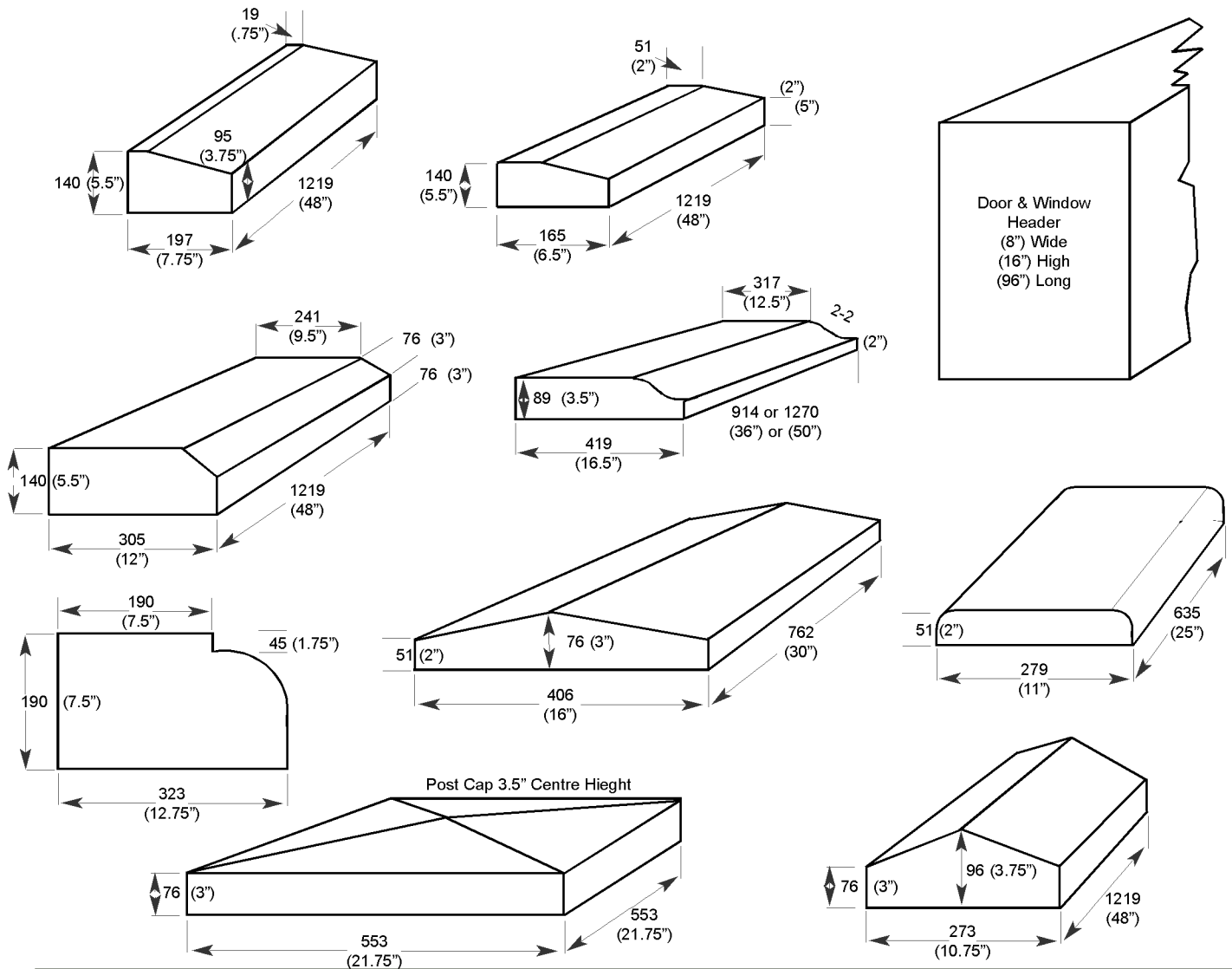


WELL TILES
 SEPTIC TANKS
 STAIRS & SLABS
 RETAINING WALLS
 BUILDING SYSTEMS
 MANHOLES/CATCH BASINS

1979 S. Sparrow Lake Rd., Severn Bridge, ON P0E 1N0
 Tel: 705-689-8428 Fax: 705-689-1565
 Email: info@orilliaprecast.com www.orilliaprecast.com

OPC
 SIL / COPG

WINDOW SILLS AND WALL COPINGS



SPECIFICATIONS

- Concrete Strength - 4600 psi / 32 mpa (minimum)
- Custom sizes may be made on request.