

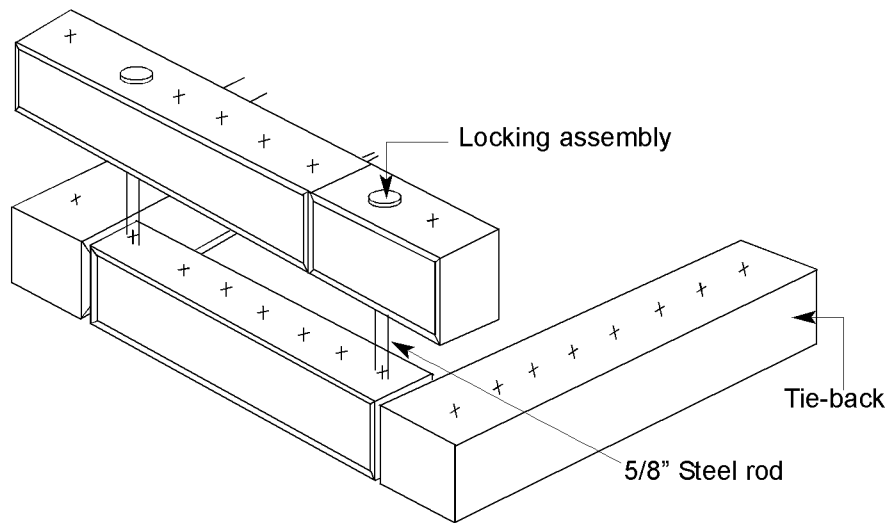
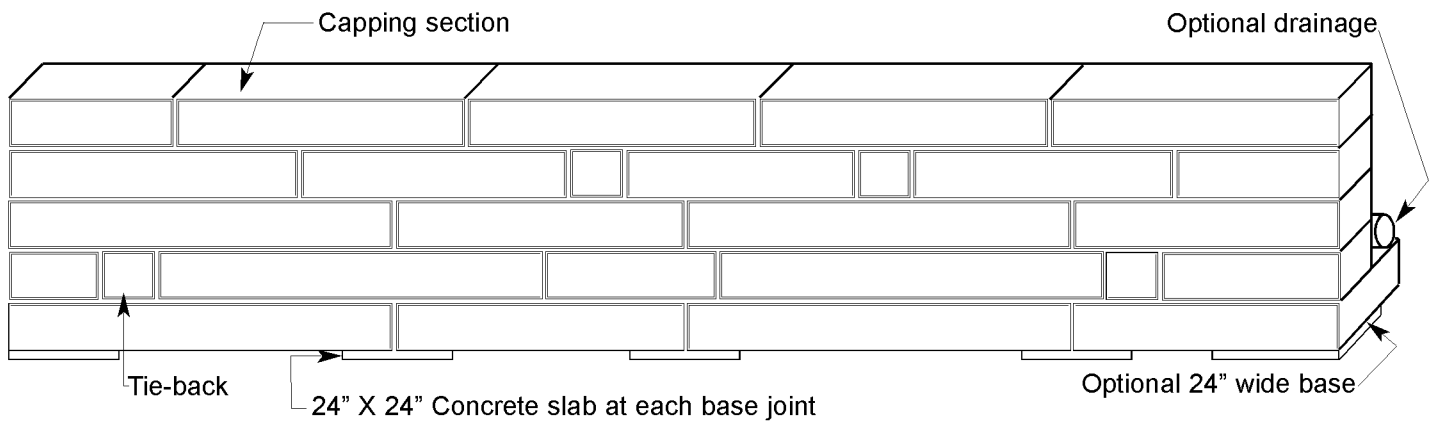


WELL TILES  
SEPTIC TANKS  
STAIRS & SLABS  
RETAINING WALLS  
BUILDING SYSTEMS  
MANHOLES/CATCH BASINS

2085 S. Sparrow Lake Rd., Severn Bridge, ON P0E 1N0  
Tel: 705-689-8428 Fax: 705-689-1565  
Email: info@orilliaprecast.com www.orilliaprecast.com

OPC- LAY-Go1

## LAY-GO WALL



## SPECIFICATIONS

- Dimensions - variable lengths: 2,4, 6, 8' X 12" W X 12" H
- Weight - 145 lb./ 62 kg /cu.ft. (approximate)
- Concrete Strength - 4600 psi/ 32 mpa (minimum)
- Steel reinforced
- All sections have interlocking hubs at 12" intervals