

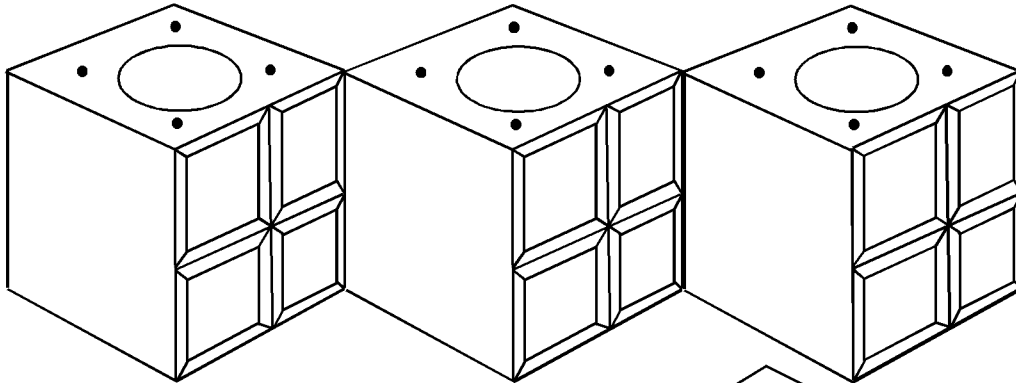


WELL TILES  
SEPTIC TANKS  
STAIRS & SLABS  
RETAINING WALLS  
BUILDING SYSTEMS  
MANHOLES/CATCH BASINS

2085 S. Sparrow Lake Rd., Severn Bridge, ON P0E 1N0  
Tel: 705-689-8428 Fax: 705-689-1565  
Email: info@orilliaprecast.com www.orilliaprecast.com

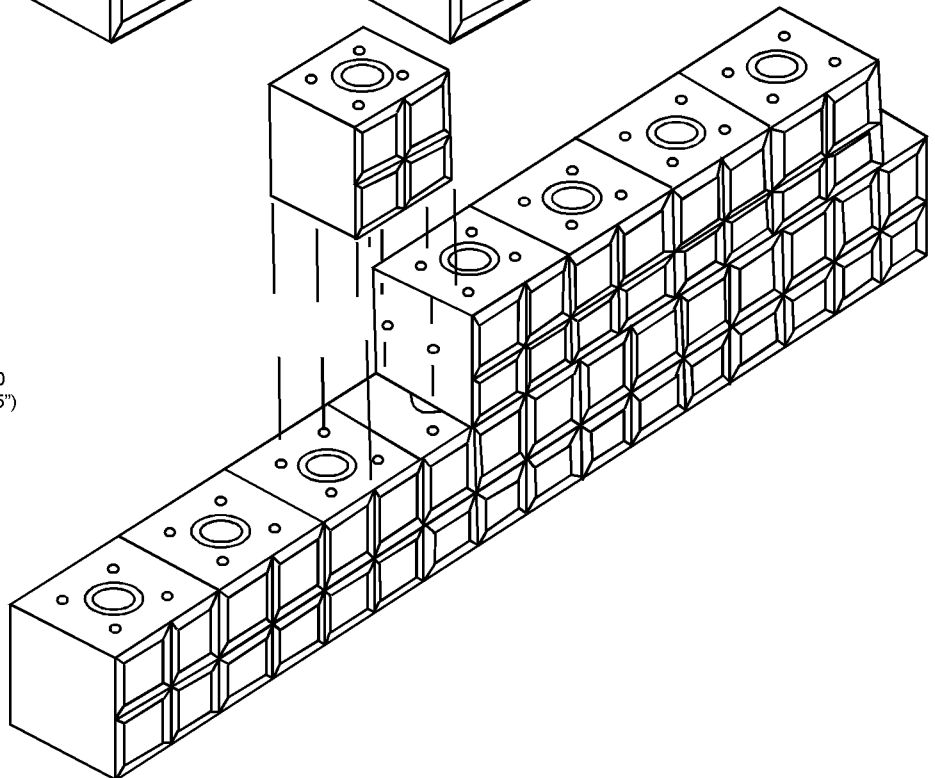
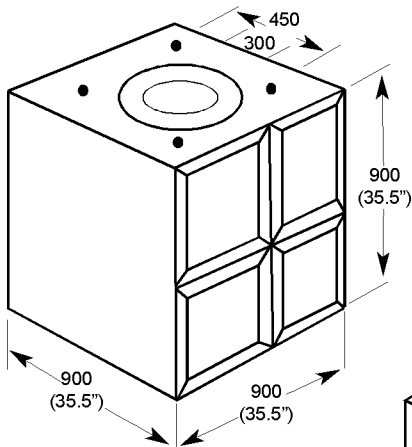
CUBE BLOCK

## CUBE BLOCK



Endless applications:

- Retaining walls
- Loading docks
- Artificial reefs
- Planters
- Storage building
- Separation bins
- Breakwaters
- Traffic control
- Terracing projects
- Security fencing



## SPECIFICATIONS

- Dimensions - 900mm(35.5) square cube, c/w 450mm dia. hole tapered to 300mm
- Weight - 2700lb./1225kg (approximate)
- Concrete Strength - 4600psi/32mpa (minimum)
- Each cube interlocks by means of 4 steel pins placed in the pre-formed cavity.